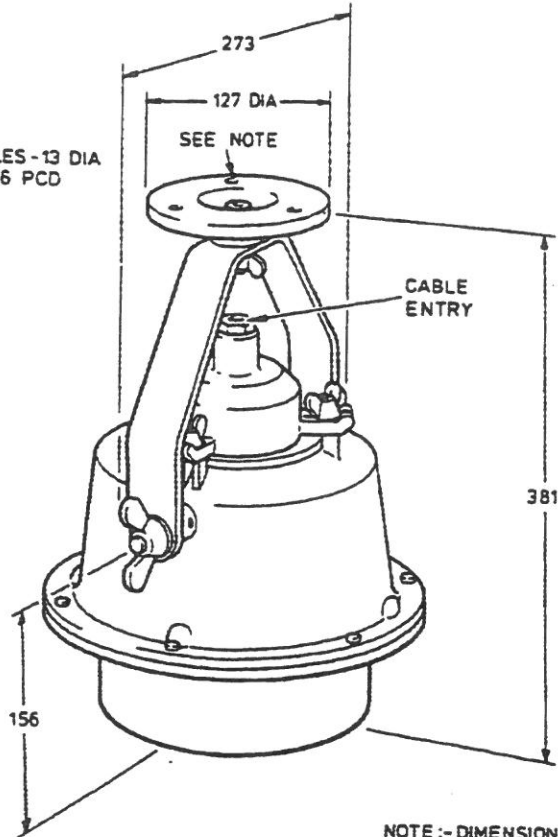


NOTE :- 3 FIXING HOLES -13 DIA  
EQUISPACED ON 101.6 PCD



NOTE :- DIMENSIONS IN MM

DRAWING NUMBER 007 514 525

#### FITTING DETAILS

Weight	3.18kg	Watertight To	0.4 bar
Voltage	115V	Cable Entry	No. 2 Gland
Frequency	60Hz	Method of Mounting	Vertical
Rating	60W	Maximum Cable Size	10mm diameter
PF	Unity	EMC	
Magnetic Rating	'A' Cert.	Lamps (Filament)	60W or 100W

#### COMPONENT DETAILS

COMPONENT	QTY	NSN	CLASS GROUP	REMARKS
* Lamp (Cap Type) BC 115V 60W	1	6240-99-996-2364	0584	Def Stan 62-6/1
OR				
* Lamp (Cap Type) BC 115V 100W	1	6240-99-996-2365	0584	Def Stan 62-6/1
Gland Packing Nut	1	5975-99-900-4464	0559	DGS 1535
Filter (Red)	1	9330-99-923-1619	0426	DEE 85793

\* To be ordered separately

#### GENERAL NOTES

1. For MCMV use only.
2. Cut Filter to size.
3. Proprietary to McGeoch-RTL.

HAZARDOUS ITEM – None

**MCMV Floodlight (red) –  
6210-99-531-6508 – Mod 0 CL/GP 0579**