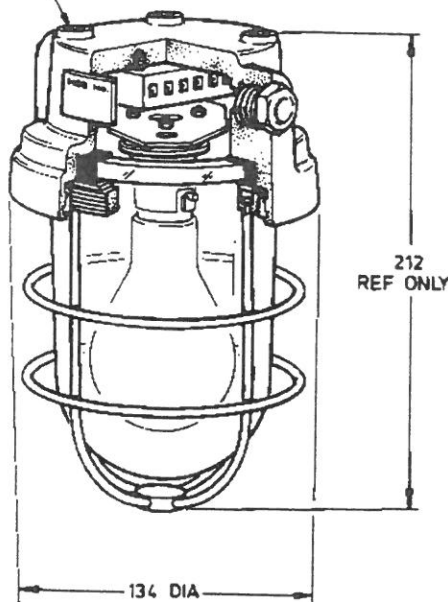


4 FIXING HOLES:-
TAPPED M8 ON 76.2 PCD



DRAWING NUMBER 007 037 362

FITTING DETAILS

Weight	2.5kg	Watertight To	IP 57
Voltage	115/220V	Cable Entry	Glands 2 x M10
Frequency		Method of Mounting	See Figure
Rating	100W	Maximum Cable Size	
PF	Unity	EMC	
Magnetic Rating		Lamps (Filament)	100W BC maximum

COMPONENT DETAILS

COMPONENT	QTY	NSN	CLASS GROUP	REMARKS
* Lamp 115V, 100W OR	1	6240-99-996-2365	0584	
* Lamp 220V, 100W	1	6240-99-996-5389	0584	
** Well Glass, Clear	1	6210-99-764-8343	0581	SDN 007 037 364
** Well Glass, Red	1	6210-99-764-8344	0581	SDN 007 037 365
** Well Glass, Green	1	6210-99-764-8345	0581	SDN 007 037 366
Nut, Packing, Cable Gland	2	5975-99-525-1025	0559	007 502 423
Retainer, Packing, Cable Gland	4	5975-99-525-1007	0559	007 502 426
Lampholder	1	6250-99-412-8499	0585	SEE 191
* Key, Well Glass	1	5120-99-870-0263	0273	SDN 007 037 371

* To be ordered separately. ** Only supplied in fitting when specially called for.

GENERAL NOTES

- For use as bulkhead, deckhead or pendant fitting. Pendants are M25 steel conduit cut to length supported by struts and fitted with resilient mount NSN 0255/410-4412. Bulkhead and deckhead fittings are to be supported on either NSN 0255/410-4412 or NSN 0255/923-5762.

HAZARDOUS ITEM – None

**Well glass fitting (100W max) –
6210-99-776-9735 – Mod 0 CL/GP 0581**