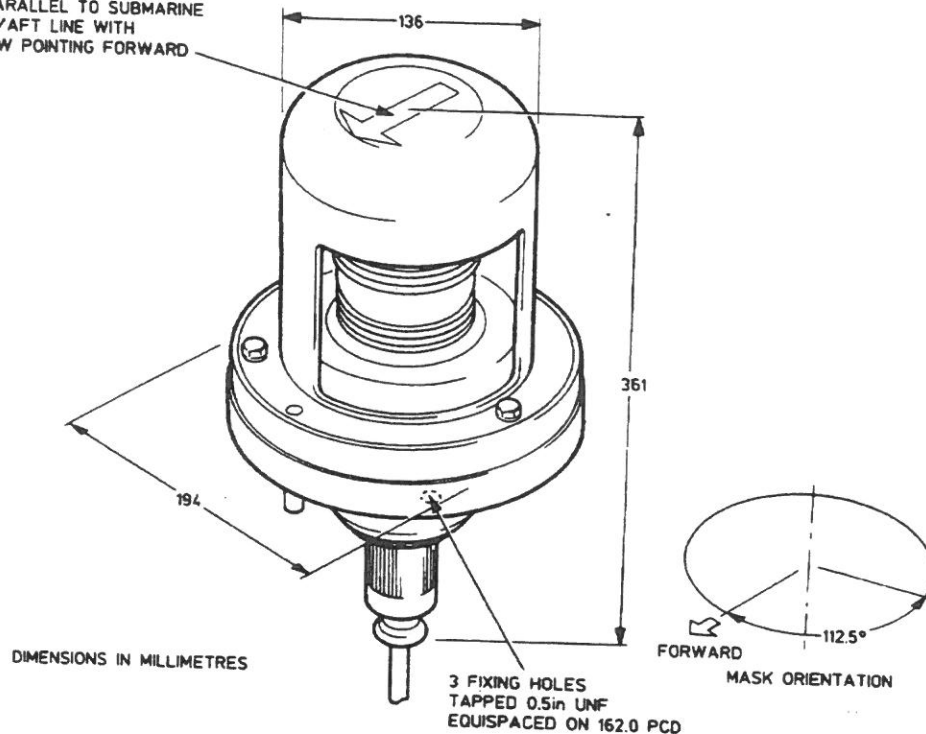


SHAFT OF ARROW MUST
BE PARALLEL TO SUBMARINE
FORE/AFT LINE WITH
ARROW POINTING FORWARD



DRAWING NUMBER 007 037 383

FITTING DETAILS

Weight	14.1kg	Watertight To	60 bar
Voltage	24V ac	Cable Entry	Pressure Gland
Frequency	60Hz	Method of Mounting	See above Figure
Rating	40W	Maximum Cable Size	See DEE B87165
PF	N/A	EMC	N/A
Magnetic Rating	N/A	Lamps (Filament)	40W, 50cd

COMPONENT DETAILS

COMPONENT	QTY	NSN	CLASS GROUP	REMARKS
Lamp	1	6240-12-168-2921	0584	Radium Pt No. 2450C
Fresnel Lens Assy	1	6220-99-024-8620	0582	007 037 390
Light Cut-off Shield	1	6220-99-629-9970	0582	007 037 382
Lampholder	1	6250-99-853-3203	0585	007 037 396
Cable Gland	1	5975-99-522-3796		DEE B87165
'O' Ring Seal (Lens Assy)	1	5330-99-453-4489		Dowty Pt No. 100-338-1911
'O' Ring Seal (Gland)	1	5330-99-104-8955		Dowty Pt No. 100-217-1911
'O' Ring Seal (Gland)	1	5330-99-453-4483		Dowty Pt No. 100-221-1911
4-Way Plug (Lantern)	1	5935-99-972-8222	0568	
4-Way Socket (Gland)	1	5935-99-972-8188		

GENERAL NOTES

1. This light satisfies the requirements of the Merchant Shipping (Distress Signals and Prevention of Collisions) Regulations 1989.
2. Production Test Specification – PTS Number 16123.

HAZARDOUS ITEM – None

**Port light (single), navigation submarine –
6220-99-513-4663 – Mod 0 CL/GP**